

Aeris  
Nummo



# Don't sit still. Sit in style.

Many benefits. Simply good.

---

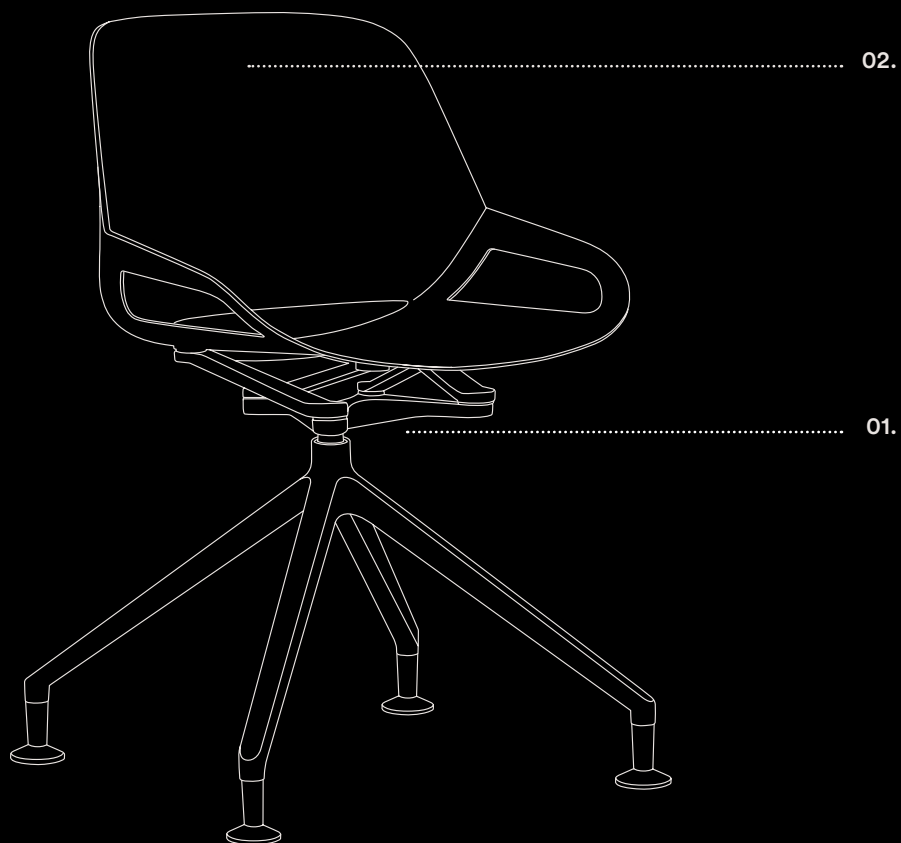
## **Freedom of movement, freedom of thought.**

The Aeris Numo expands on the idea of the classic cantilever chair, offering freedom of movement even at the front. As your position chan

## **Kinematics for good vibrations.**

Thanks to the patented mechanisms, the seat shell of the Aeris Numo adapts to your seating position back and forth. The kinematic mechanism with crossed lever arms is visually reminiscent of the spine's disc structure.

Aeris Numo with star base



Numo with skid base



Aeris Numo with wooden legs



01. Thanks to the patented kinematics Aeris Numo follows your movements back and forth.

02. Glass fibre reinforced plastic seat shell

Design: Andreas Ostwald

## Technical Data:

Height:	80 cm
Seat Height:	46.5 cm
Shell:	Glass fibre reinforced plastic seat shell made of high-quality polypropylene/polyamide
Frames:	Each with glides for hard and soft floors
max. user weight:	120 kg
Skid base:	Chrome plated or powder coated steel, weight: 8.2 kg, measurements: 53 × 50 cm
Wooden legs:	Natural oak, massive, FSC certified, weight: 6.5 kg, measurements: 52 × 50 cm
Star base with glides:	Die-cast aluminium polished or powder coated, weight: 7.5 kg, measurements: 56 × 56 cm
Star base with castors:	Die-cast aluminium polished or powder coated, weight: 8.5 kg, measurements: 57 × 55 cm

## Awards and Certifications:

